

Name _____

Type of Boat _____

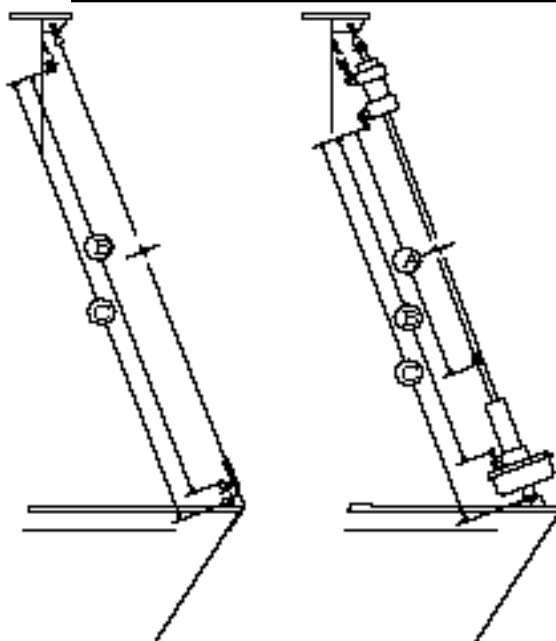
Luff Attachment

- Hanks On Roller Furling System
- Racing Foil Wire Furling

Hoisted Measurements:

With a tape rule on the halyard or head swivel shackle, hoist on the jib halyard (hoist all the way, please do not try to account for stretch, we will do that) measure to:

- _____ A. to the feeder
- _____ B. to the bearing surface of tack fitting
- _____ C. to the intersection of headstay & deck
- _____ D. to the cabin house at mast
- _____ E. to the deck at rail
- _____ F. pass tape around shrouds as if it was the leech of the sail, then measure to the forward end of the track.
- _____ G. then to the aft end of track



These measurements to be taken from same place as in A,B,& C above

Deck Level Measurements:

Headstay - Aft

- _____ H. to the forward end of the track
- _____ I. to the aft end of the track
- _____ J. to the forward edge of the mast

Centerline - Out

- _____ K. to the outermost shroud base
- _____ L. to the forward end of the track
- _____ M. to the aft end of the track
- _____ Cover to be placed on PORT or STBD ?
- _____ Cover color
- _____ Furling system/model
- (OR foil tape diameter)

